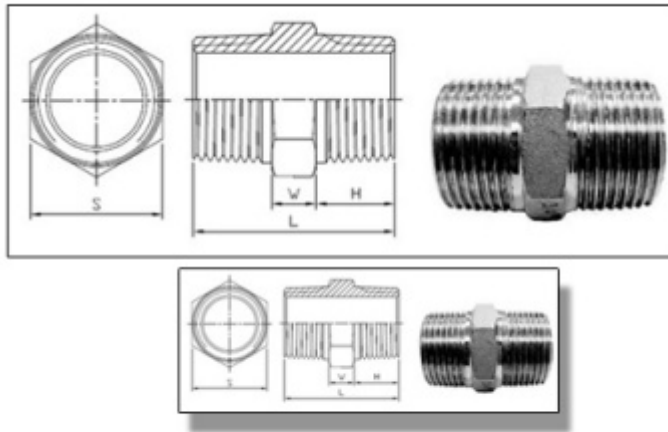


## Stainless Steel Hex Nipples

### Stainless Steel Hex Nipples



Stainless Steel Hex Nipples

#### Economic Pattern

SIZE	1/8"		1/4"		3/8"		1/2"		3/4"		1"		1-1/4"		1-1/2"		2"		2-1/2"		3"		4"	
	mm	in	mm	in	mm	in	mm	in	mm	in	mm	in	mm	in	mm	in	mm	in	mm	in	mm	in	mm	in
W	5.6	0.22	6	0.24	6	0.24	7.6	0.3	8.5	0.33	8	0.31	9.5	0.37	9.5	0.37	10.5	0.41	13	0.51	13	0.51	15	0.59
H	9	0.35	11	0.43	11	0.43	14	0.55	14	0.55	17.5	0.69	18	0.71	18.5	0.73	20	0.79	22.5	0.89	25	0.98	28	1.1
S	13	0.51	15	0.59	18	0.71	23	0.91	29	1.14	35	1.38	45	1.77	50	1.97	62	2.44	78	3.07	91	3.58	118	4.65
L	26	1.02	30	1.18	30	1.18	40	1.57	40.5	1.59	48	1.89	49.5	1.95	49.5	1.95	52.5	2.07	60	2.36	65	2.56	71	2.8

#### Standard Pattern

SIZE	1/8"		1/4"		3/8"		1/2"		3/4"		1"		1-1/4"		1-1/2"		2"		2-1/2"		3"		4"	
	mm	in	mm	in	mm	in	mm	in	mm	in	mm	in	mm	in	mm	in	mm	in	mm	in	mm	in	mm	in
W	5.7	0.22	6	0.24	6.1	0.24	7.6	0.3	8.4	0.33	8.3	0.33	10	0.39	10.2	0.4	10.6	0.42	13.1	0.52	13	0.51	14.5	0.57
H	12.2	0.48	13	0.51	13	0.51	17.2	0.68	17.6	0.69	20.4	0.8	20.8	0.82	20.7	0.81	22	0.87	25	0.98	27.5	1.08	30.3	1.19
S	13.3	0.52	15.2	0.6	18.5	0.73	23	0.91	29	1.14	35	1.38	44	1.73	50	1.97	62	2.44	78	3.07	91	3.58	117	4.61
L	30	1.18	32	1.26	32	1.26	42	1.65	43.5	1.71	49	1.93	51.5	2.03	51.5	2.03	54.5	2.15	63	2.48	68	2.68	75	2.95

#### ADDRESS:

#### CONEX STAINLESS STEEL FITTINGS

1414 Dalamal tower  
Nariman point  
Mumbai 400021 INDIA

#### CONTACTS:

PHONE : 91-22-43449300  
FAX : 91-22-22834046  
EMAIL : [sales@conexstainless.com](mailto:sales@conexstainless.com)  
**CONTACT US | BACK TO HOME PAGE**

#### KEYWORDS:

stainless steel hex nipples, stainless steel nipple, stainless steel pipe, stainless steel nipples, stainless steel pipe nipples, stainless hex nipple, stainless steel suppliers, stainless steel fitting, steel fittings, reducing pipe nipple, steel pipe nipple,